



CARE INSTRUCTIONS

For dusting and light cleaning of the wooden surface use a soft, dry cloth. For further cleaning, use a soft cloth that is firmly wrung in clean water for gently wiping the surface, and then immediately use a dry cloth to wipe the surface again.

Do not use materials for maintenance that:

- Contain abrasive agents.
- Are basic, acidiferous or organic.

For the best maintenance of the product, protect it against sunlight and heat, and try to keep it away from moisture, grease, and other dirt. Furthermore, protect the surfaces against sharp objects and others that might cause scratches. A hot object at all time must have a heat proof mat or trivet underneath, otherwise it will damage the lacquered surface.

VENEERED PRODUCTS

Gubi's products of veneered wood are made of real wood veneer attached to MDF (Medium Density Fiberboard). The veneer is 1.2 mm thick, and cannot be sanded down. Given that the product is made of real wood, color and structure differences will occur naturally. Furthermore, the color of the product will change because of sunlight and light in general. We therefore recommend that you frequently move any objects you place on the product, to ensure an even surface. Veneered products are protected by a clear lacquer but excessive use of fluids left on the surface will penetrate the lacquer and result in damage to the veneer.

REPAIRS AND MAINTENANCE

Strongly colored fluids, like red wine and fruit juice should be dried up immediately to avoid staining the surface. Deep dents and scratches in the wood can in most cases be repaired. These type of repairs should always be done by a professional carpenter.



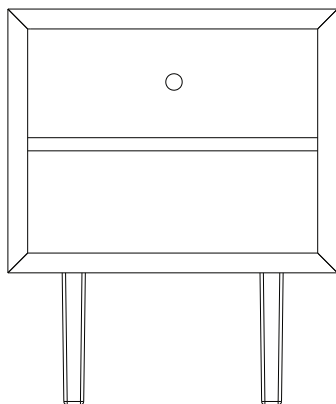
For enquiries contact GUBI A/S - CVR: 17940384
Klubiensvej 7-9. 2150 Nordhavn. Copenhagen, Denmark
T +45 69 15 60 60 – order@gubi.com
GUBI.COM

GUBI

ASSEMBLY INSTRUCTIONS

for

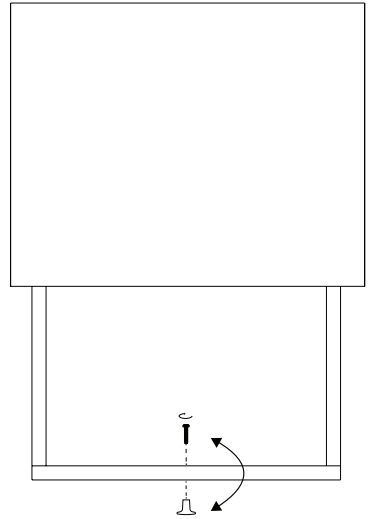
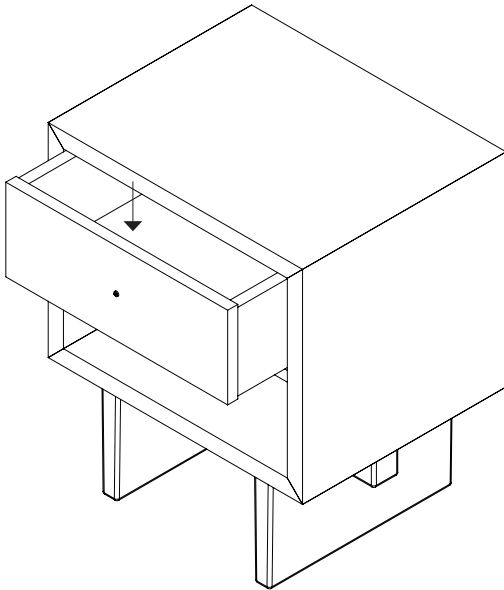
Private Side Table



GUBI

1.

To protect the handles during transport they are attached facing inwards. Dissassemble and move the handle to the front of the drawer. Tighten using a cross head screwdriver.



NOTE: Maximum drawer load 5 kg.

